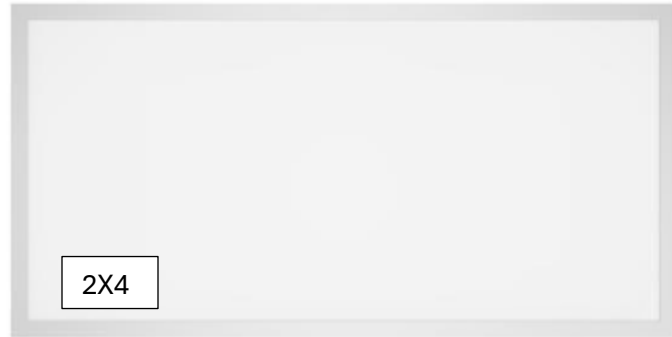
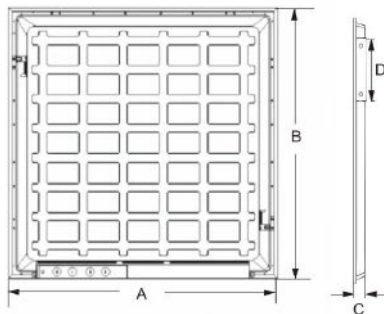


CCT & Wattage tunable LED Back-lit Panel Light



- Selectable wattages
- Selectable color temperatures
- 0-10 Dimming
- Direct Backlit Design
- 5 Years Warranty



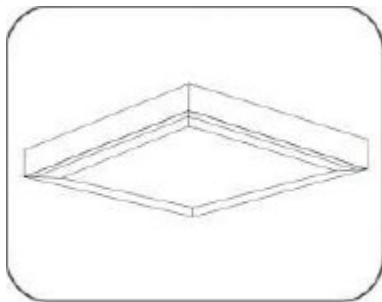
Part No.	A(inch)	B(inch)	C(inch)	D(inch)
2x2ft	24"	24"	1.38"	15.6"
1x4ft	48"	12"	1.38"	15.6"
2x4ft	48"	24"	1.38"	15.6"

Key Features

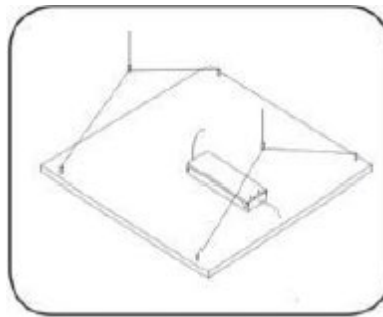
1. ETL, FCC & DLC 5.1 listed; With LM79 & LM80
2. Watt Tunable:
1x4:20W/25W/30W/35W/40W
2x2:20W/25W/30W/35W/40W
2x4:25W/30W/35W/40W/50W
3. CCT Tunable: 3500K/4000K/5000K or 3000K/3500K/4000K/5000K
4. High luminous efficacy 125 lm/w
5. 120-277VAC; 0-10V dimming
6. PF > 0.90 driver efficiency > 90%, THD < 20%
7. Installation type: Lay-in installation, Suspended Installation or Surface Mount Installation
8. Suitable for dry/damp location
9. Designed for warehouses, gymnasiums, and industrial spaces
10. Fast and easy installation of microwave motion sensor

MODEL	POWER	SIZE	INPUT VOLTAGE	LUMEN	CCT
LLP-BLP2240WT-3545K	20/25/30/35/40W	2X2	120-277v 0-10 DIMMING	5000lm	3500/4000K/ 5000K SWITCHABLE
LLP-BLP1440WT-3545K	20/25/30/35/40W	1X4		5000lm	
LLP-BLP2450WT-3545K	20/25/30/35/40W	2X4		6250lm	

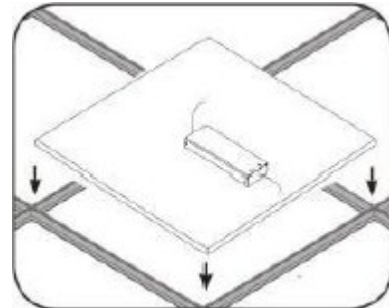
Installation Type



Ceiling Mounted



Ceiling Hanging



Grid Embedded

Certifications

- DLC Standard
- ETL Listed
- ROHS Compliant
- IC Rated
- Damp Location

