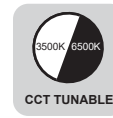


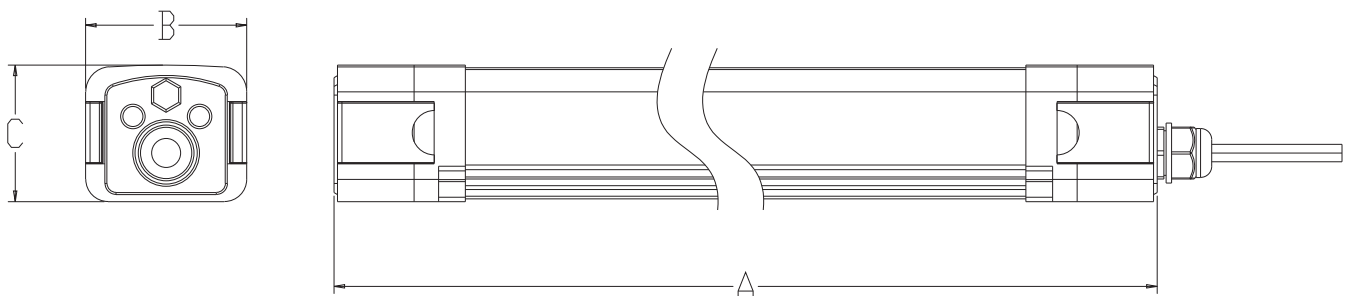
## Product Appearance



## Product Features

- 1. ETL, FCC, DLC listed.
- 2. Power optional: 4FT 30W-35W-40W, 8FT 60W-70W-80W.
- 3. Lumen efficiency: 140lm/w.
- 4. Input voltage: 100-277VAC .
- 5. Surface mounting Installation//Suspension Installation
- 6. Five years' warranty.
- 7. Product Rating : IP65 Rated, Wet Rated

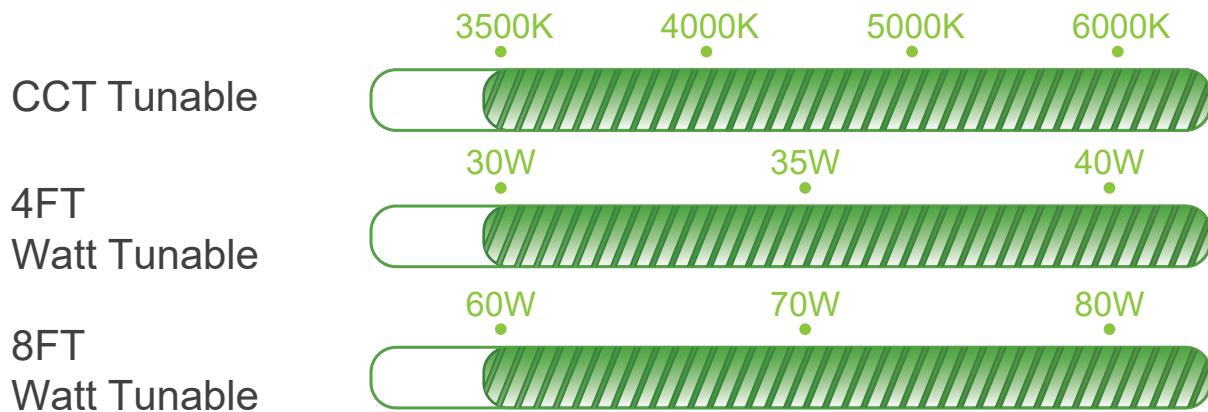
## Product Dimension



Mode	Size	A (inch)(mm)	B (inch)(mm)	A (inch)(mm)
LLP-GL-VT-4FT-40W	4FT	47.24" 1200mm	2.91" 74mm	2.44" 62mm
LLP-GL-VT-8FT-80W	8FT	94.45" 2400mm	2.91" 74mm	2.44" 62mm

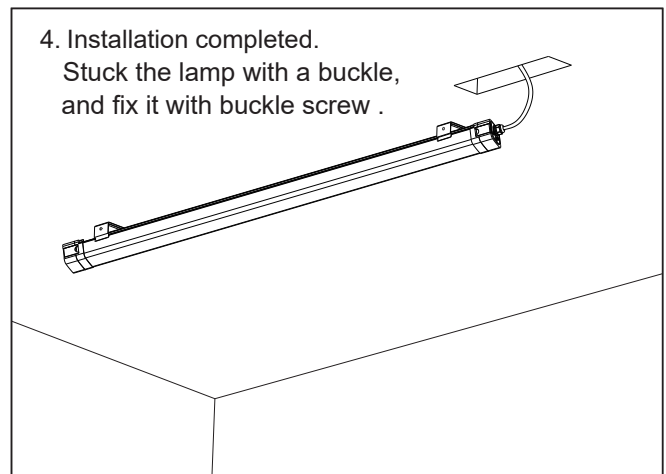
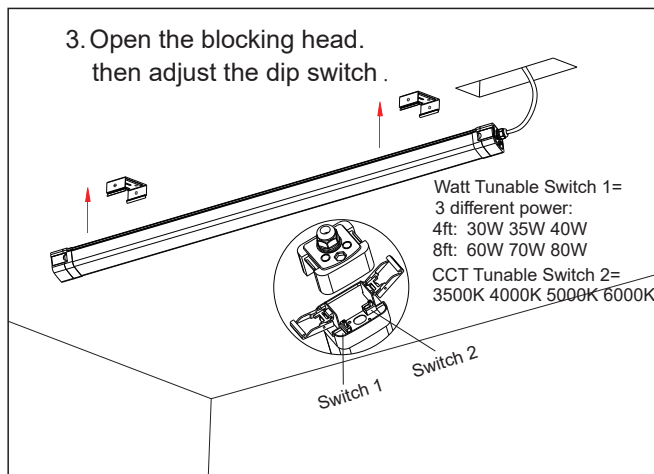
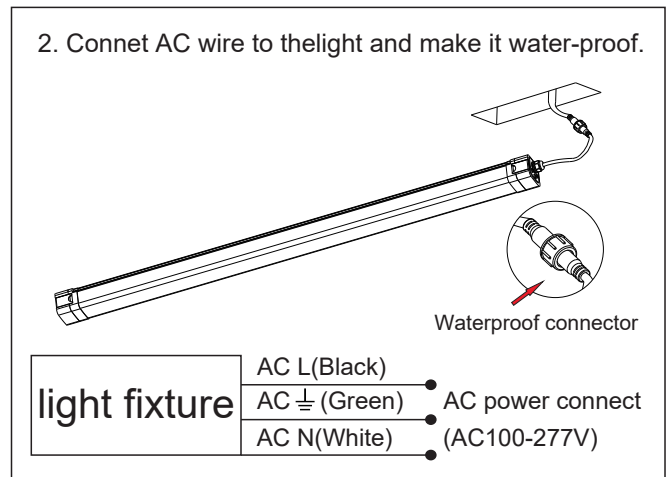
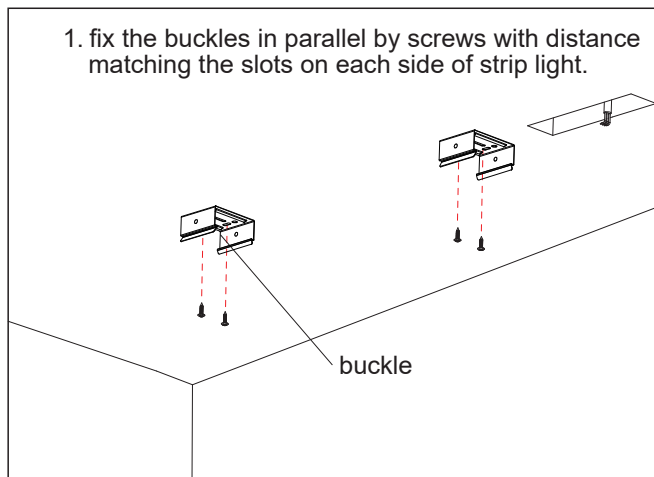
## Specification

Mode	Size	Power	Input Voltage	Dimmable	PF	Light Efficacy	Ra	CCT
VT-4FT-40W-L-H	4FT	30/35/40W	AC100-277V	0-10V	>0.9	140lm/w	80	3500/4000/5000/6000K
VT-8FT-80W-L-H	8FT	60/70/80W	AC100-277V	0-10V	>0.9	140lm/w	80	3500/4000/5000/6000K



## Installation

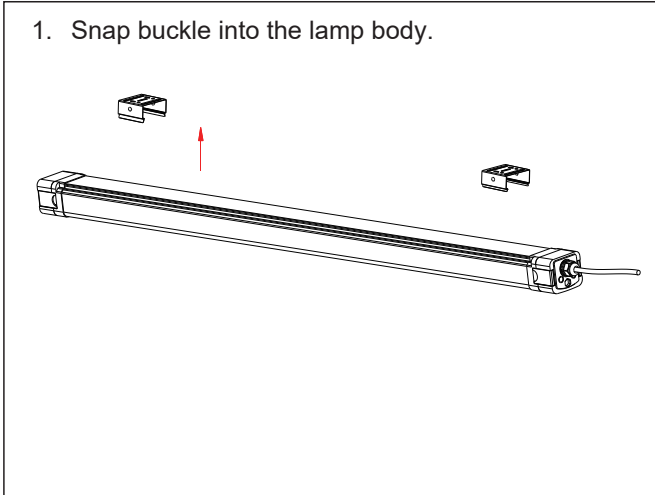
### Surface Mounted Installation



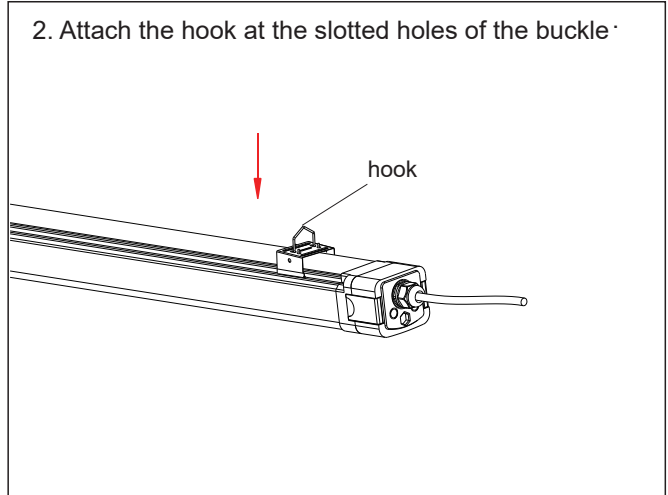
## Installation

### Chain Installation

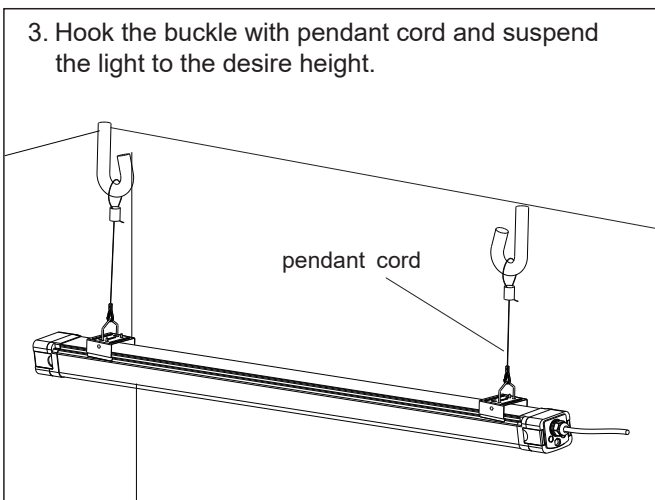
1. Snap buckle into the lamp body.



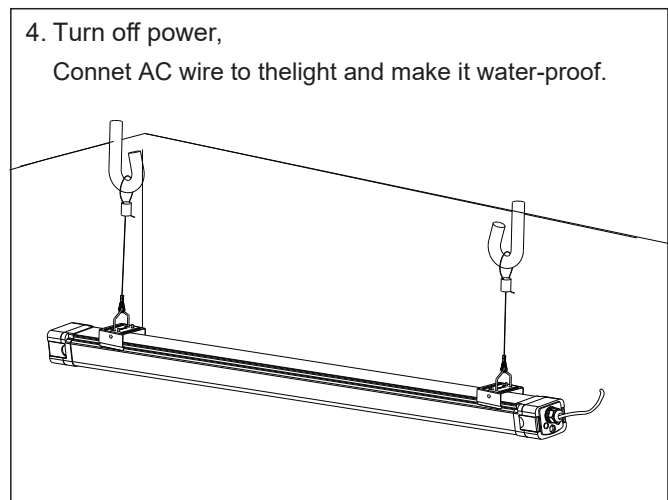
2. Attach the hook at the slotted holes of the buckle.



3. Hook the buckle with pendant cord and suspend the light to the desired height.

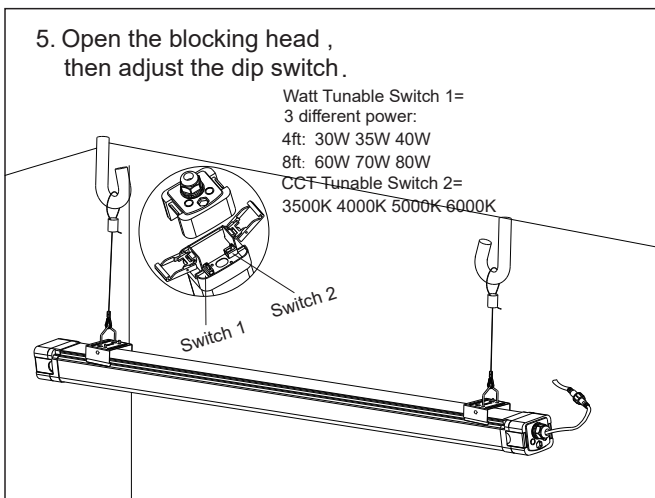


4. Turn off power, connect AC wire to the light and make it water-proof.



5. Open the blocking head, then adjust the dip switch.

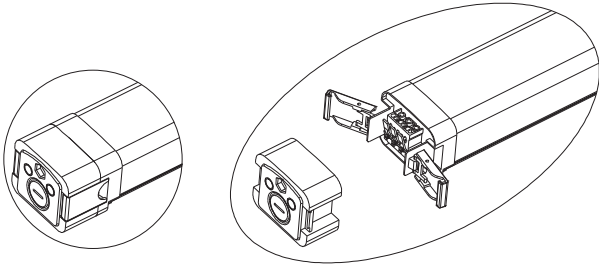
Watt Tunable Switch 1=  
3 different power:  
4ft: 30W 35W 40W  
8ft: 60W 70W 80W  
CCT-Tunable Switch 2=  
3500K 4000K 5000K-6000K



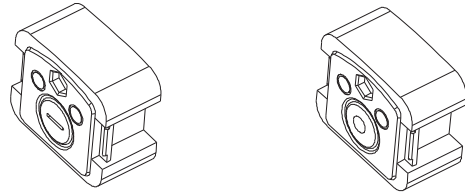
## Installation

### Connection Instruction

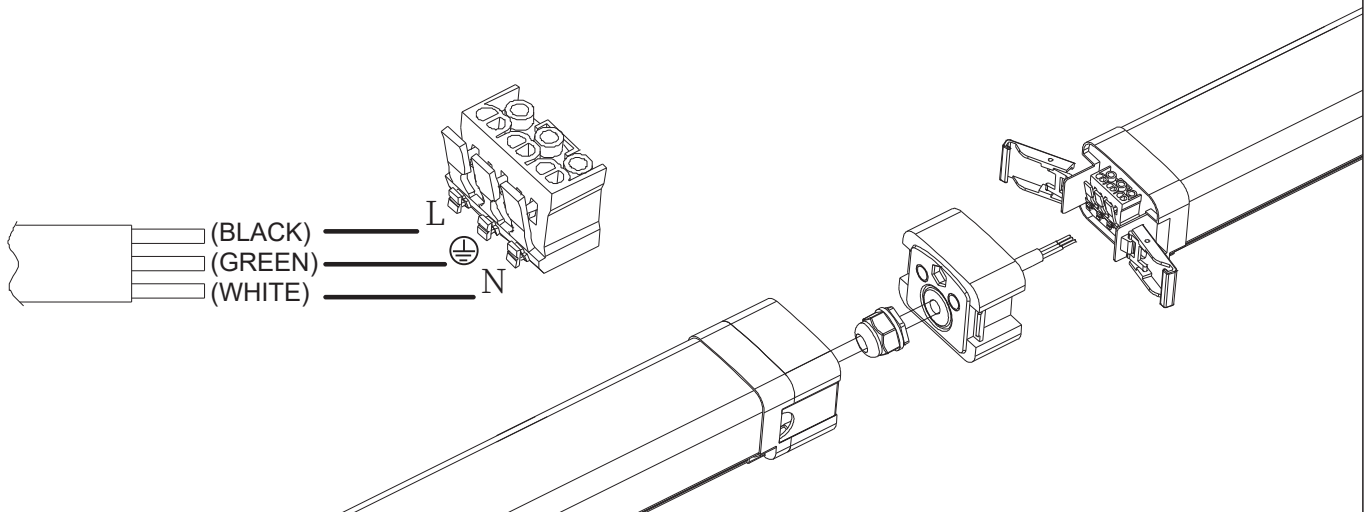
1. Open the end cap by pulling the fastener.



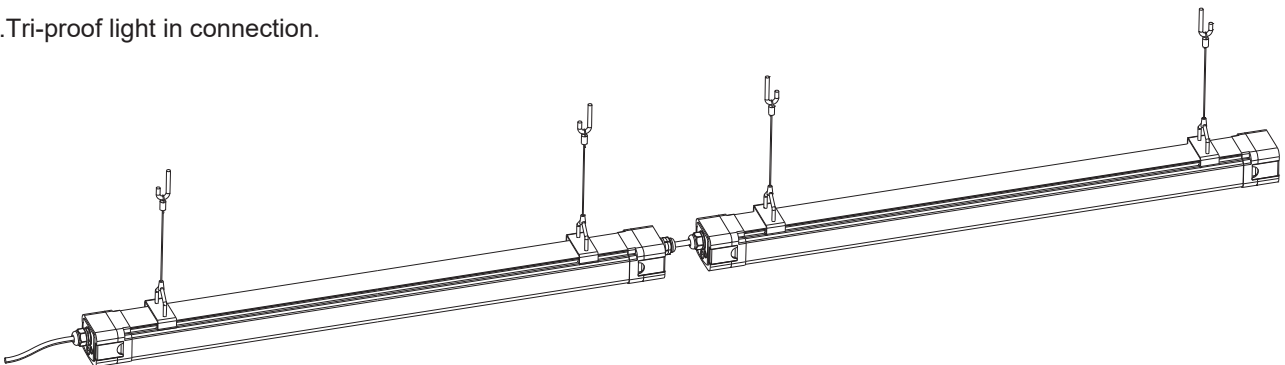
2. Waterproof end cap with connector.



3. Put the AC cable into the waterproof end cap of another Tri-proof light, After wiring, Close the end cap and twist tight the waterproof connector.



4. Tri-proof light in connection.



**The Installation must be carried out by a qualified electrician**

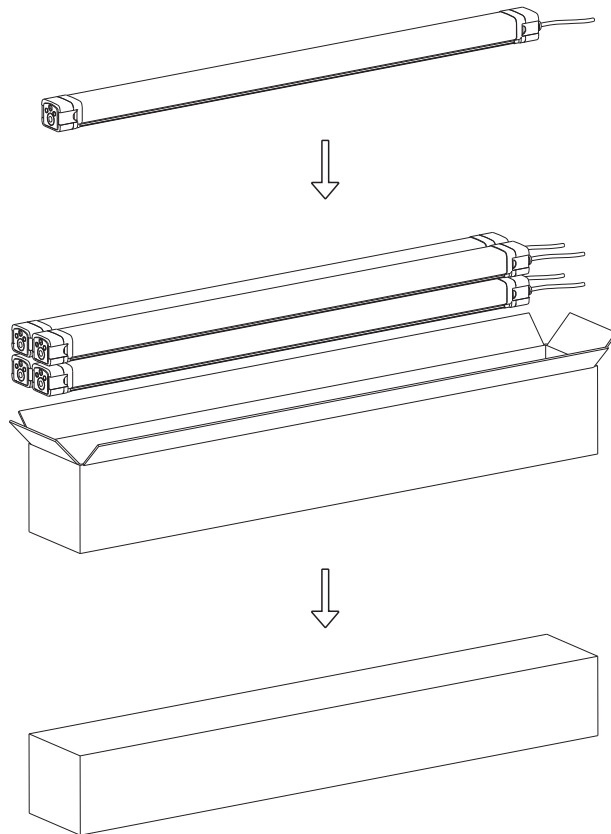
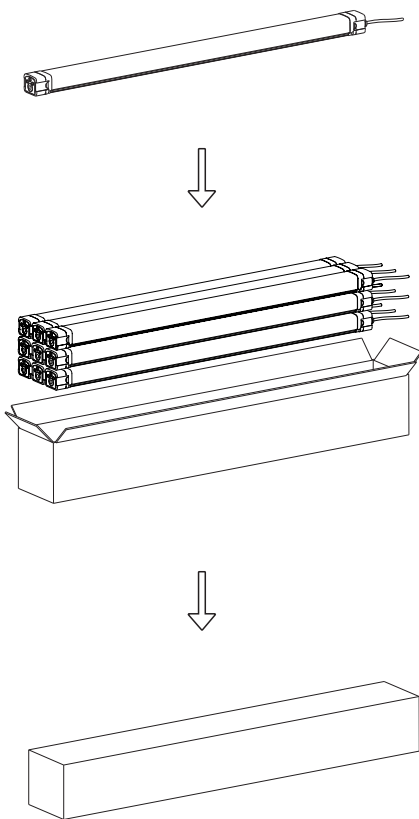
## Packing/weight

Part No.	Outer Carton Size (LxWxH)	Qty/Carton (pes)	Net weight (kg)(lbs)	Gross weight (kg)(lbs)	20GP (QTY)	40HQ (QTY)
VT-4FT-40W-L-H	(1265x230x200mm) (49.8"x9.06"x7.87")	9PCS	1.35kg 2.98 lbs	13.7kg 30.2 lbs	4275	10080
VT-8FT-80W-L-H	(2485x155x137mm) (97.83"x6.10"x5.39")	4PCS	2.4kg 5.29 lbs	11.3kg 24.9 lbs	2016	4760

## Packing

**4FT**

**8FT**



## Note

1. The installation and maintenance must be completed by electricians or professionals.
2. Please cut off the power before installation and maintenance.
3. The fixture is not allowed to be covered by thermally insulating material.
4. Working temperature: -4°F~104°F, storage temperature: -22°F~140°F.