

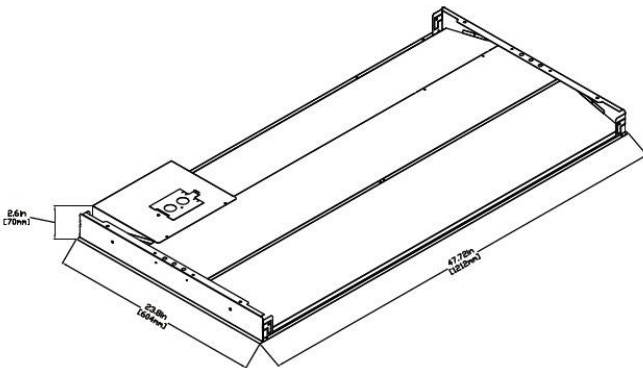
## PRODUCT DESCRIPTION:

The troffer provides maximum light distribution. It is ideal for commercial and industrial uses. This luminaire was engineered as an energy efficient and eco-friendly alternative to traditional lighting solutions.

## FEATURES:

- Dimmable
- High quality LED chips with 50,000 hours
- No flicker

## WIRING DIAGRAM:



## LED 39W Troffer Spec

LLP-LO-TR-39W24-40K

LLP-LO-TR-39W24-50K



# LED 39W Troffer Spec

## SPECIFICATIONS:

SPECIFICATION	Details	
Model	LLP-LO-TR-39W24-40K	LLP-LO-TR-39W24-50K
Input Wattage (W)	39W	
Lumens Delivered (LM)	5,506.8LM	5,510.7LM
Efficacy (LM/W)	141.2LM/W	141.3LM/W
CRI	80	80
Lifespan	50,000 hours	
Color Temperature	4,000K	5,000K
Wattage Equivalent	96W	
Dimmable	Yes	
IP Rating	IP40	
Beam Angle	150	
Input Voltage	AC120-277V	
Power Factor	0.9	0.9
THD	20%	20%
Housing	Aluminum	
Lens	Frosted	
Mounting	T bar	
Weight (LBS)	13.77 lbs	
Size	47.72" x 23.8" x 2.6"	
Certification	DLC, UL, FCC, CE, RoHS, TUV	
Operating Temperature	-20°C-50°C	
Environment	Indoor	
Warranty	5 years limited	

