

Prepared By:	Product Code:
Project:	Date:



LED MA FLOOD LIGHT SERIES LLP-MA-300W-5000K-CW

SPECIFICATIONS

Product Code	LLP-MA-300W-4000K-NW
Equivalent Source	Up to 900W conventional HPS lamps
L70 lumen depreciation design criteria =	Panel Lighting: 50,000 hours Rating is based on open-air fixture application.
Housing	Cast Aluminum Base, Tempered Glass(4T), Powder Coating
Installation Type	Swivel Bracket
Light Distribution Type	Asymmetric Wide
Operating Temperature	-22°F ~ 140°F (-30°C ~ 60°C)
IP Rating	IP66
Voltage	AC100 ~ 277V / AC100 ~ 240V
Frequency	50/60Hz (47~63Hz)
Weight	< 33 lb (15.0Kg)
Length	21.7"(551.2mm)
Height	7.5"(160.0mm)
Width	18.7"(475.0mm)
Power Factor	≥0.916
Lumens/ Watt (lm/W)	> 120 lm/W
Luminous Flux (lm)	> 35,000 lm
Color Rendering Index (CRI)	CRI 80
Color Temperature	4000K, 5000K Optional
Warranty	5-Year Warranty

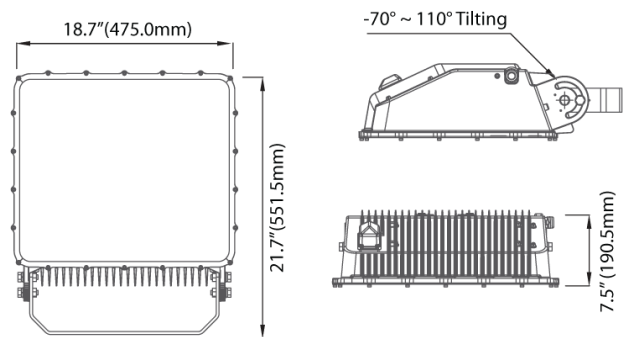
BENEFITS

- Reliably produces clear, bright illumination that reduces operational and maintenance costs.
- Excellent cooling structure.
- Maximized energy saving through breakthrough luminous efficacy (120 LM/W).
- 300 Watts – 60% more efficient than comparable 750W conventional lamps. Maintenance free operation lasts up to 16 times longer than fluorescent lighting.
- Must be installed by a licensed electrician.

APPLICATIONS

- Parking Lots
- Ramps
- Sports Fields, and etc

• MA300



ORDERING INFORMATION \ LED MA FLOOD LIGHT SERIES

PRODUCT CODE: **LLP-MA-300W-5000K-CW**

Family	Product	Wattage	Color (CCT)	Distribution	Voltage ⁴	Base
LLP	MA	300W	5000K-CW Cool White	120°	100-277 Volt	Poly Carbonate, PMMA



Prepared By:	Product Code:
Project:	Date:

The LED MA FLOOD LIGHT SERIES has high system efficiency (actual efficiency more than 90%).

LED light contains less infrared (heat) than HID lamps, eliminating risk of damage from a rise in temperature. Any usage interfering with LED heat dissipation may cause damage to the product. LEDs also reduce deterioration and discoloration from ultraviolet (UV) rays, because they have limited emissions in the UV spectrum. Other LED benefits include instant full brightness (as opposed to “warming up”) and silent operation.

This product must be installed by a professional electrician who must comply with relevant standards, electrical codes, and the appropriate installation guide. Any modification or dismantling of this product may result in serious injury. Input power voltage must comply with rated voltage or serious damage may occur.

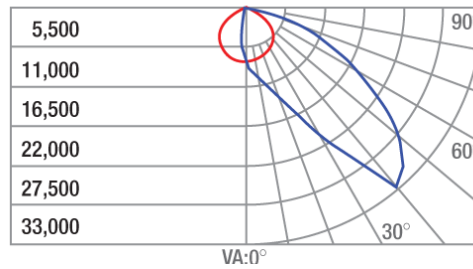
Caution

- Turn power off before inspection, installation, or removal.
- Not for use in recessed fixtures.
- Do not open – no user serviceable parts inside.
- This device is not intended for use with emergency exit fixtures or emergency exit lights.

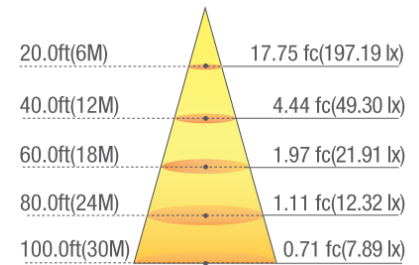
LED Street Lights	Part Number
LED MA Flood Light Series	
LED MA Flood Light -200Watt	LLP-MA-200W-XXXX-XX
LED MA Flood Light -300Watt	LLP-MA-300W-5000K-CW
LED MA Flood Light -400Watt	LLP-MA-400W-XXXX-XX

MA - 300

● - 0° H ● - 90° H



[Beam Profile]



[Illumination]