

DMX512 LED Controller LLP-DMX-12CH



Features

- DMX512(1990) protocol. Can be used as a DMX512 decoder.
- LCD screen shows controller current status.
- Wireless RF control in stand-alone mode.
- 33 preset color changing patterns and 4 DMX operating modes.
- 256 brightness levels and speed settings.
- XLR3 interface. Up to 12 LLP-DMX512-12CH can be linked to one LLP-DMX-CON192.
- Aluminum housing with black finish.

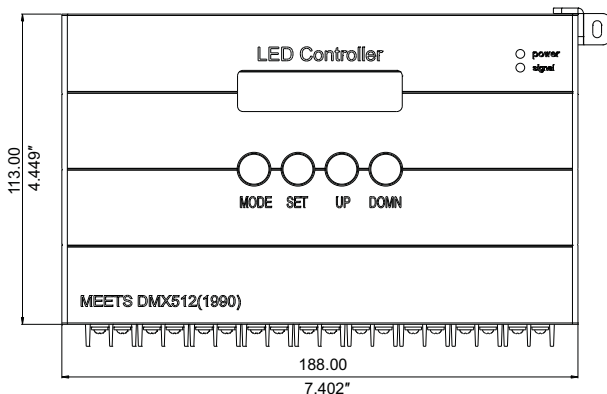
Specifications

- Input Voltage: 12V / 24V DC
- Input Signal: DMX512(1990)
- Output Channel: 4 outputs x 3 channels
- Output Wattage: 60 Watts per channel (720W max.)
- Output Current: 5A @ 12VDC / 2.5A @ 24VDC per channel

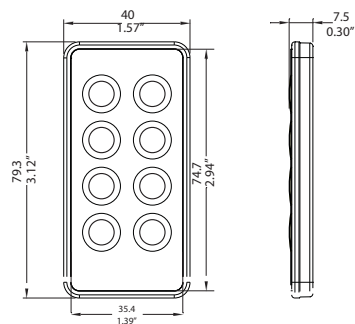


Dimensions (Unit: mm/inch)

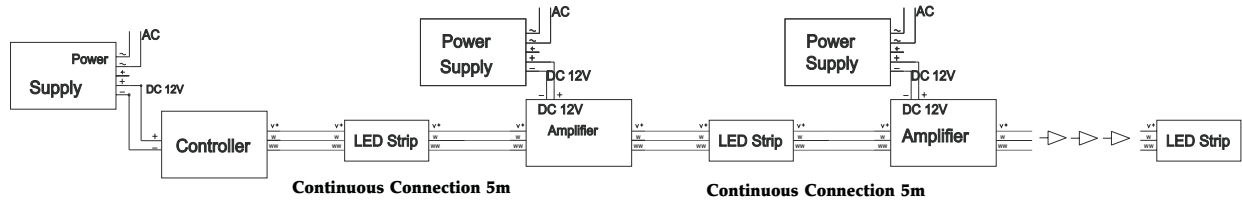
SC-WC9-V1/V2 Weight:560g



LC-0RGB-D5-04 Weight:20g



Each Red, Blue, and Green (RGB) channel can handle 60 Watts. One 5 meter roll of RGB LED Flex is 24 Watts per channel. An RGB amplifier can be used if more than 60 Watts per channel will be used. An RGB amplifier is also recommended for runs over 50 feet to prevent signal loss.



Preset Functions

- | | | |
|-------------------|----------------|----------------|
| 1. Static Red | 12. RB Jump | 23. RGB Fade |
| 2. Static Green | 13. GB Jump | 24. RG Fade |
| 3. Static Blue | 14. RGB Jump | 25. RB Fade |
| 4. Static Yellow | 15. RG Flick | 26. GB Fade |
| 5. Static Purple | 16. RB Flick | 27. R Fade |
| 6. Static Cyan | 17. GB Flick | 28. G Fade |
| 7. Static White | 18. RGB Flick | 29. B Fade |
| 8. 7 Color Jump | 19. RGB Smooth | 30. R Dim Mode |
| 9. 6 Color Jump | 20. RG Smooth | 31. G Dim Mode |
| 10. 7 Color Flick | 21. RB Smooth | 32. B Dim Mode |
| 11. RG Jump | 22. GB Smooth | 33. RGB Adjust |

DMX512 Modes

- 34. DMX512 Dimmer (1 Channel, White)
- 35. DMX 512 Dimmer (3 Channels)
- 36. DMX512 Dimmer (12 Channels)
- 37. DMX Console Mode