

Prepared by:	Product Code:
Project:	Date:

IBL LED 200W HIGH BAY LLP-IBL-200W-NW



FEATURES

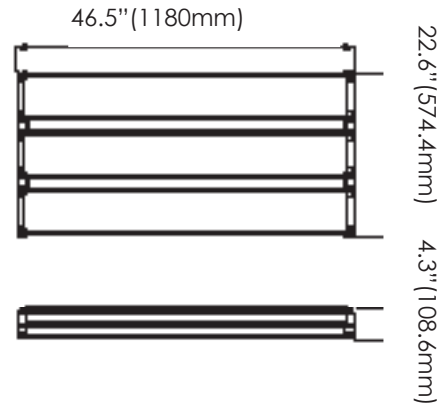
Name	LED IBL Lighting
Product Code	LLP-GT-IBL-200W-NW
Equivalent Source	Up to 600W conventional HID lamps
Life Time	50,000 hours
Housing	Aluminum
Cover Installation	Poly Carbonate 2T (clear)
Type Beam	Wire Pendant
Spread	80°/130°
Operating Temperature	14°F ~ 131°F(-10°C ~ 55°C)
IP Rating	IP 20
Voltage	AC100 ~ 277V, AC347-480
Frequency	50/60Hz (47~63Hz) 16.3lb
Weight	(7.4kg)
Size(WxLxT)	46.5"x22.6"x4.3"
Power Factor	≤0.900
Lumens/Watt (lm)	> 105 lm/W
Luminous FLux (lm)	> 21,000 lm
Color Rendering Index	CRI 80
Color Temperature	3000K/4000K/5700K
Warranty	5 Year Warranty

BENEFITS

- Ensured long life and excellent cooling structure by using vertical LED Module.
- Glare Free.
- Reliably produces clear, bright illumination that reduces operational and maintenance costs.
- Maximized energy saving through breakthrough luminous efficacy (105lm/w)
- 200 Watts - 60% more efficient than comparable 500W conventional HID lamps.
- Maintenance free operation lasts up to 16 times longer than HID Lighting.
- Easy to replace and install.
- Must be installed by a licensed electrician.

APPLICATIONS

Large Stores, Factories, Convention Centres, Airports, Gyms, Gymnasiums, and etc



Caution:

- Turn power off before inspection, installation, or removal.
- Risk of Electric Shock - Do not use where directly exposed to water or weather.
- Do not open - no user serviceable parts inside.

ORDERING INFORMATION \\ LLP-GT-IBL-200W-NW

Family	Product	Wattage	Color (CCT)		Distribution	Voltage	Base
LLP	IBL	200W	5000K-NW	Neutral White	80° ~ 130°	100-277V	Poly Carbonate

