

STREET LIGHTING



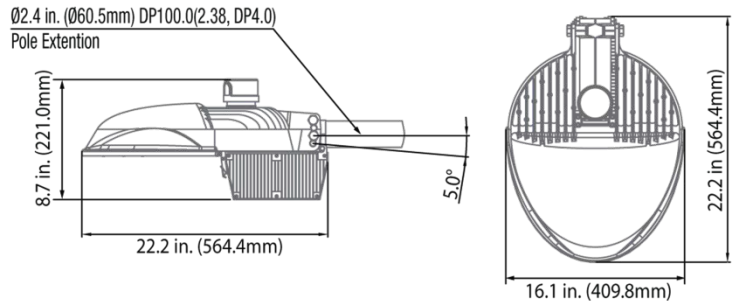
LLP HR LED STREET / PARKING LOT LIGHT | LLP-GT-H-85W-5000K-NW |

BENEFITS

- Ensured long life and excellent cooling structure by using vertical LED Module.
- Minimized glare by using 0.2W package.
- Reliably produces clear, bright illumination that reduces operational and maintenance costs.
- Maximized energy saving through breakthrough luminous efficacy (100 lm/W).
- Heat sources like transformer and FET of the SMPS are designed with heat dissipating mechanical structure to keep the temperature difference (ΔT) between inside and outside temperature not more than 86°F (30°C).
- As commonly known, air flows from cold to hot. The GigaTera HERA LED Street Light maximizes this natural convection at the level of fixture design utilizing optimal mechanical structure for vertically positioned LED module.
- 85 Watts – 75% more efficient than comparable 350 Watt conventional HPS lamps.
- Must be installed by a licensed electrician.

FEATURES

Name	LED GigaTera HR Street Light
Product Code	LLP-GT-HERA-85W-5000K-NW
Equivalent Source	Up to 400W conventional HPS lamps
L70 lumen depreciation design criteria =	50,000 hours Rating is based on open-air fixture application.
Housing	Cast Aluminum Base, Tempered Glass(4T), Powder Coating
Installation Type	Pole to Arm
Installation Hole	Ø2.4 in.(Ø60.5mm) Pipe Applied
Beam Spread	Type II only
Operating Temperature	-104°F~ 176°F (-40°C~+80°C)
IP Rating	IP66
Voltage	AC100 ~ 277V / AC100 ~ 240V
Frequency	50/60Hz (47~63Hz)
Weight	< 22.0 lb (10.0Kg)
Length	22.2"(564.4mm)
Height	8.7"(221.0mm)
Width	16.1"(409.8mm)
Power Factor	≥0.916
Lumens/ Watt (lm/W)	> 100 lm/W
Luminous Flux (lm)	> 8,500 lm
Color Rendering Index (CRI)	CRI 80
Color Temperature	5000K,4000K Optional
Warranty	5-Year Warranty



ORDERING INFORMATION \ \ LLP GigaTera HERA LED STREET LIGHT SERIES

PRODUCT CODE: **LLP-GT-HERA-85W-5000K-NW**

Family	Product	Wattage	Color (CCT)	Distribution	Voltage ⁴	Base
LLP	GT-HERA	85W	5000K-NW Neutral White	120°	100-277 Volt	Poly Carbonate, PMMA



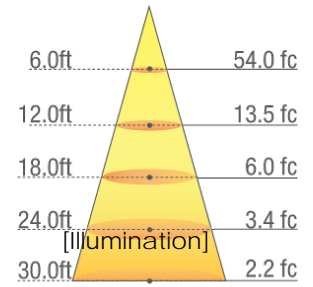
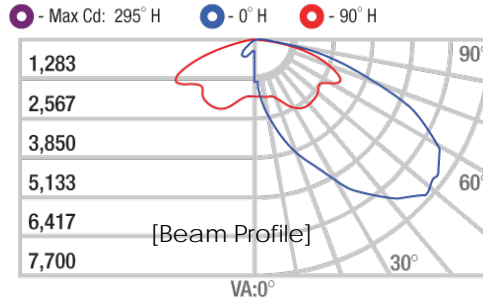
The LED GigaTera HERA SERIES has high system efficiency (actual efficiency more than 90%). LED light contains less infrared (heat) than incandescent lamps, eliminating risk of damage from a rise in temperature. Any usage interfering with LED heat dissipation may cause damage to the product. LEDs also reduce concern of deterioration or discoloration from ultraviolet (UV) rays, because they have limited emissions in the UV spectrum. Other LED benefits include instant full brightness (as opposed to "warming up") and silent operation versus the buzz of ballasts. Additionally, at the end of their long life cycle, LEDs begin to fade versus "burning out," which provides ample time for change out. Important: This product must be installed by a professional electrician who must comply with relevant standards, electrical codes, and the appropriate installation guide. Any modification or dismantling of this product may result in serious injury. Input power voltage must comply with rated voltage or serious damage may occur.

Cautions

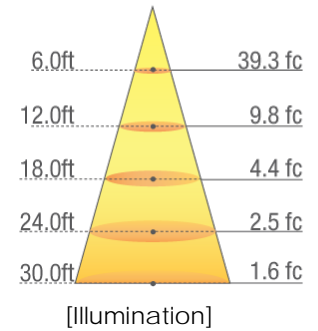
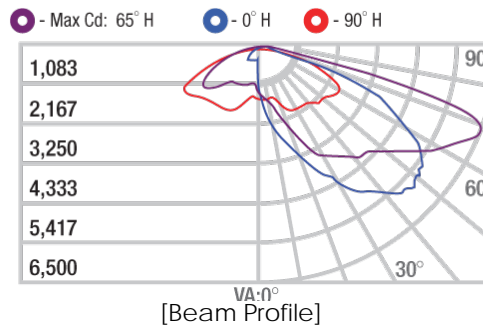
- Turn power off before inspection, installation, or removal. Input power must contain one positive leg, one negative leg and a ground wire.
- IP66 rated – NOT submersible
- Do not open – no user serviceable parts inside.

LED Parking Lot / Street Lights	Part Number
LED Street Lighting GigaTera - Hera Series	
LED GigaTera HERA Street Lighting -85Watt	LLP-GT-HERA-85W-5000K-NW
LED GigaTera HERA Street Lighting -110 Watt	LLP-GT-HERA-110W-5000K-NW
LED GigaTera HERA Street Lighting -150 Watt	LLP-GT-HERA-150W-5000K-NW

HERA - 150



HERA - 110



HERA - 85

